

The background features a large, light blue watermark of the Yonsei University logo. The logo is circular with the text 'YONSEI UNIVERSITY' around the top and '1885' at the bottom. In the center is a shield with a book, a lamp, and a central circle.

2024 Workshop

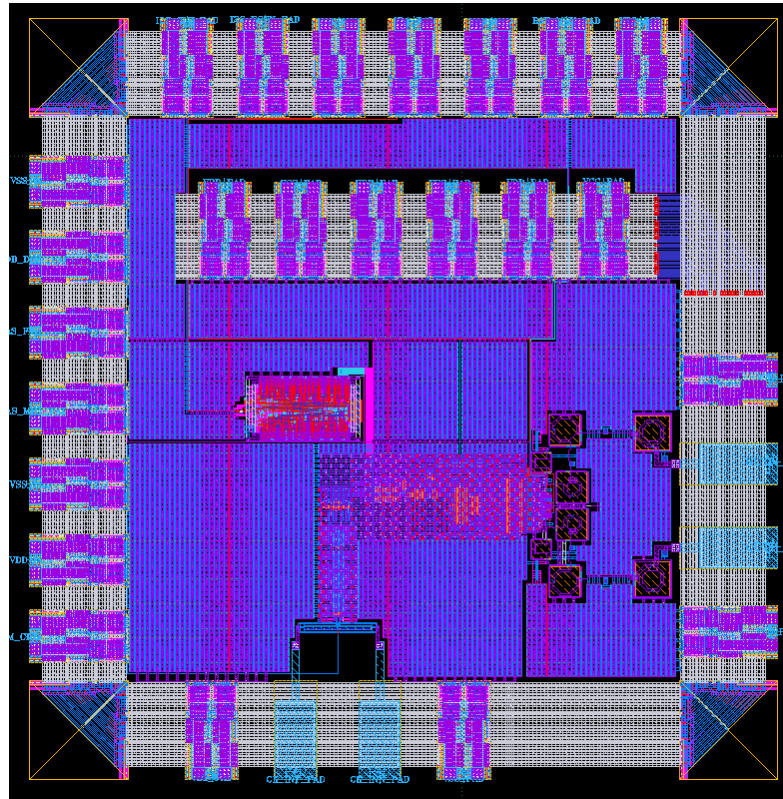
Sehwan Park

High-Speed Circuits & Systems Lab.
Dept. of Electrical and Electronic Engineering
Yonsei University

2310 Work

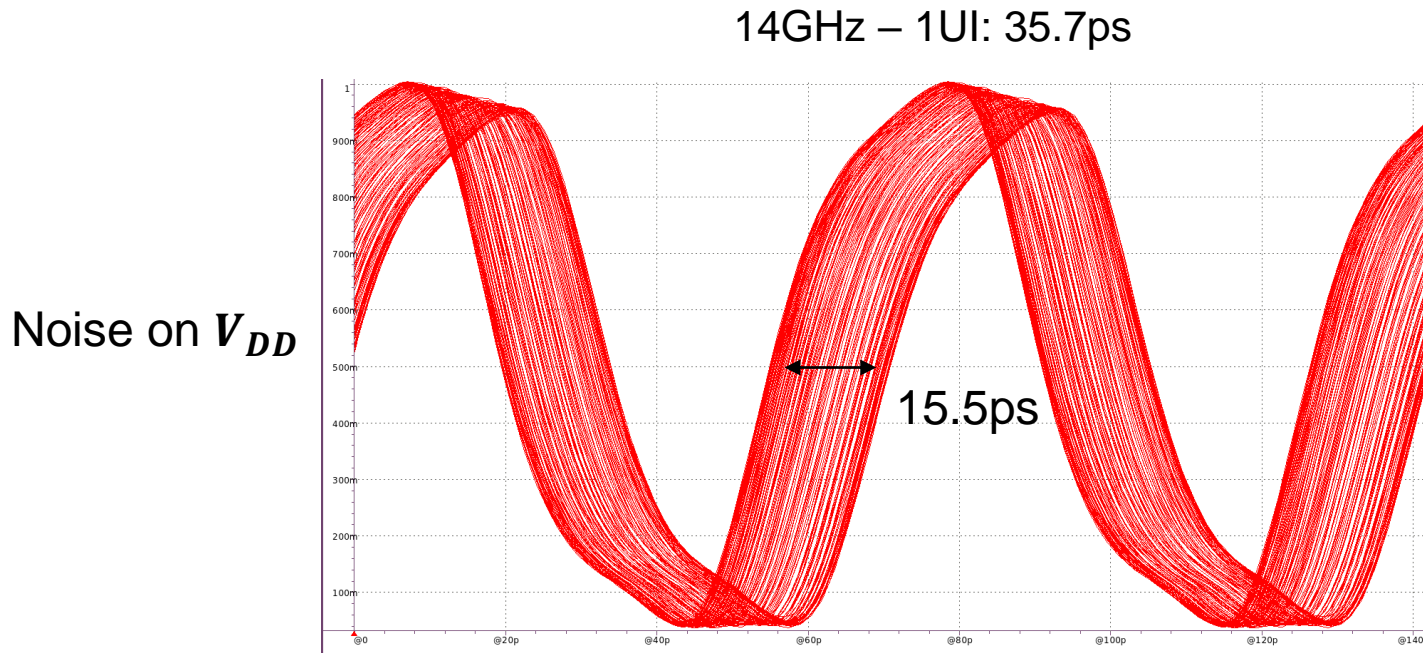
Samsung 28nm
112-Gb/s PAM-4 Tx IC

2023.10



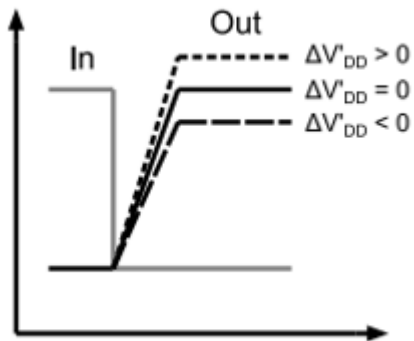
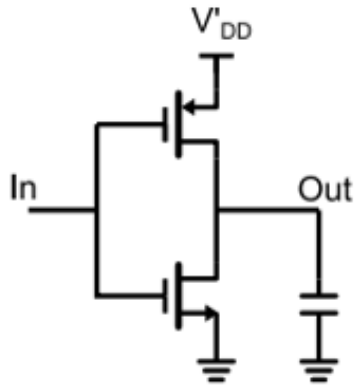
2310 Work's Problem

- PSIJ(Power Supply Induced Jitter)

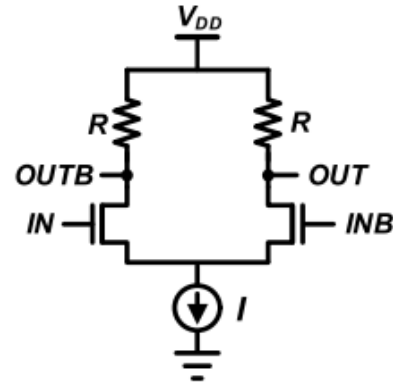


2404 Plan

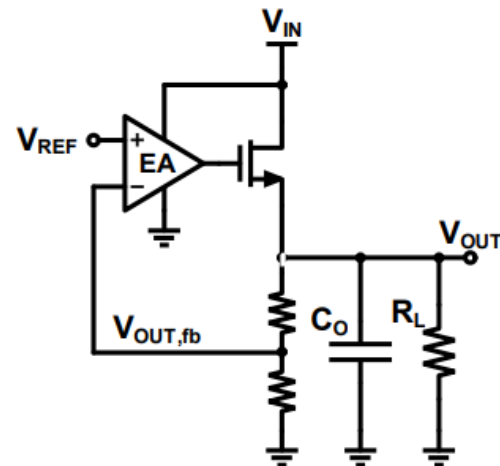
- CMOS Clock Buffer



- CML Clock Buffer



- Regulator



Next Plan

- Setting up the 14nm FinFET process
- Porting TX to match the FinFET process