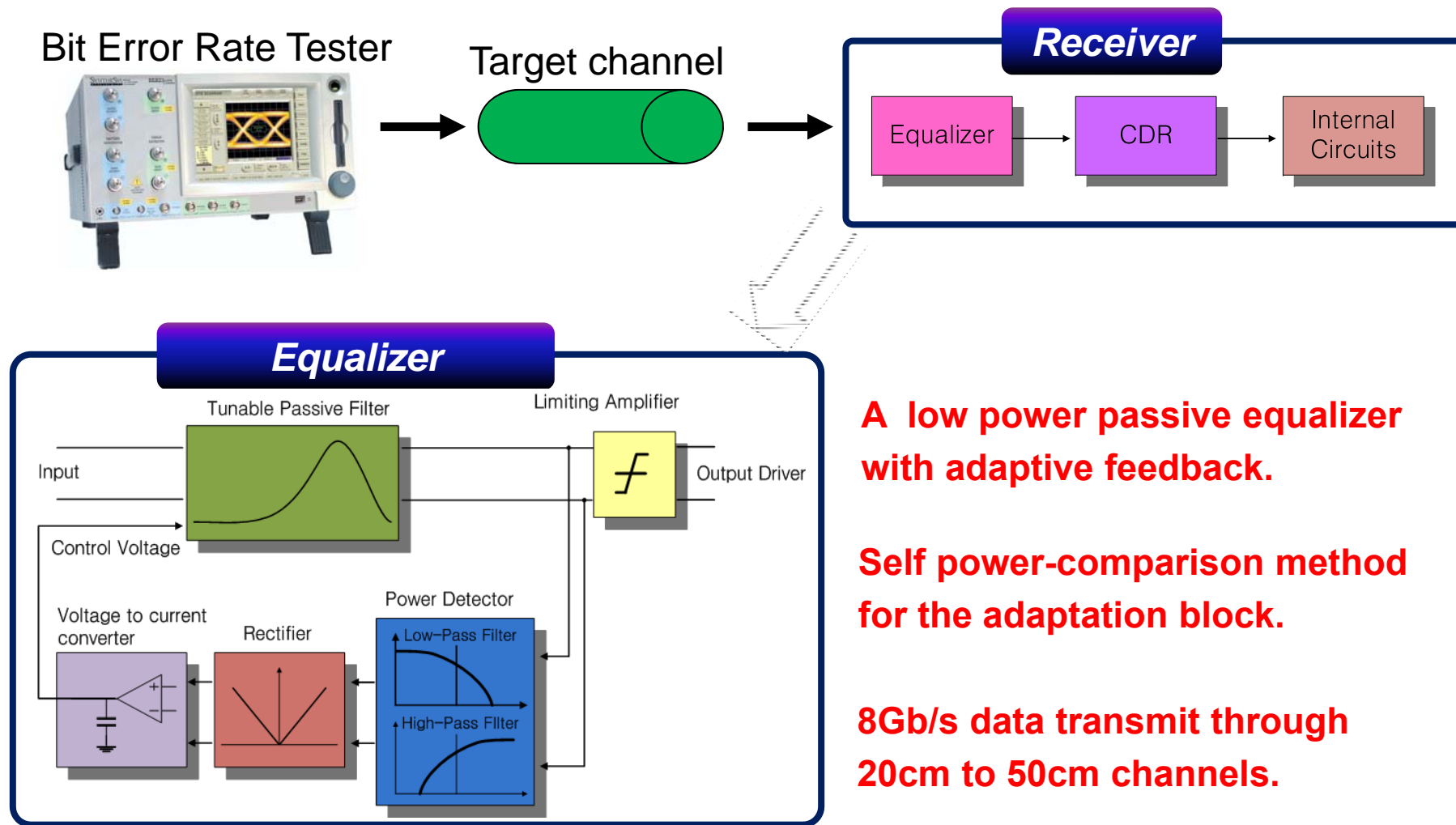


Low Power Adaptive Passive equalizer

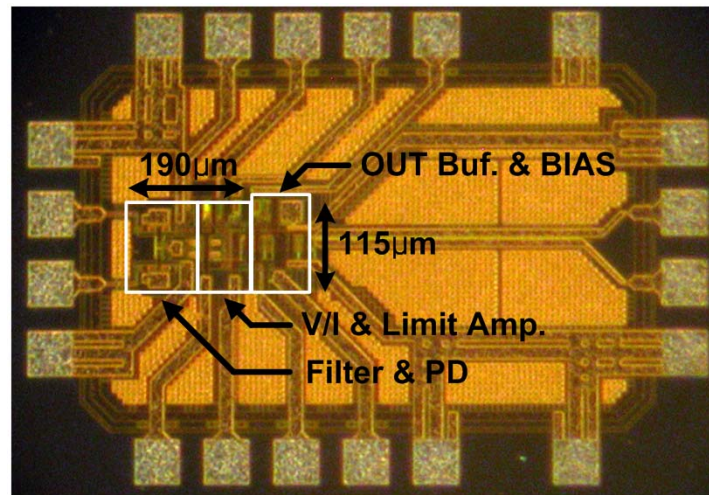


A low power passive equalizer with adaptive feedback.

Self power-comparison method for the adaptation block.

8Gb/s data transmit through 20cm to 50cm channels.

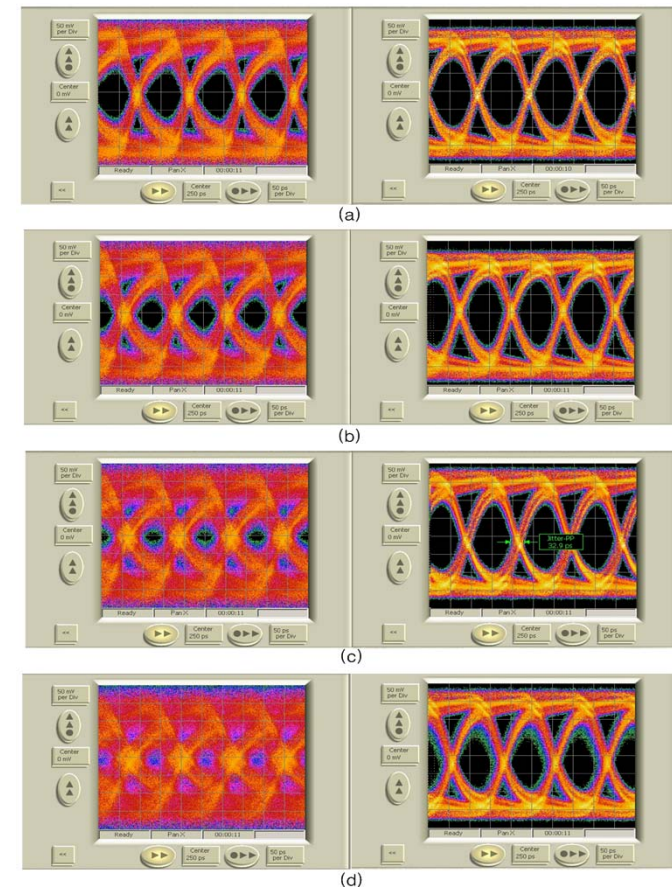
Low Power Adaptive Passive equalizer



Die photographs of adaptive EQ

Achieves the error-free condition (BER < 10⁻¹³) at all target channels.

The equalizer has very small power efficiency of 0.84 mW/Gbps and occupies only 0.021 mm² of chip area in 0.18- μ m CMOS technology.



Measured waveform before (left) and after (right) equalization at 8 Gb/s of
 (a) 20-cm FR4 PCB trace
 (b) 30-cm FR4 PCB trace
 (c) 40-cm FR4 PCB trace
 (d) 50-cm FR4 PCB trace