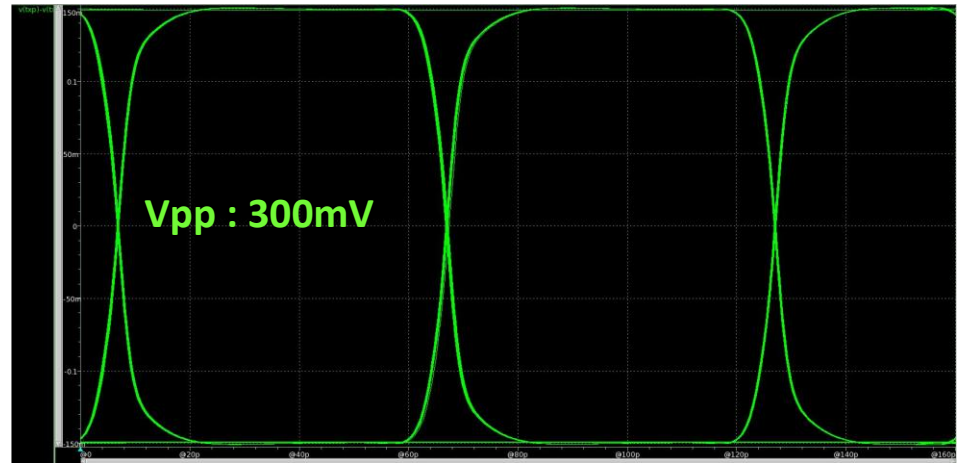
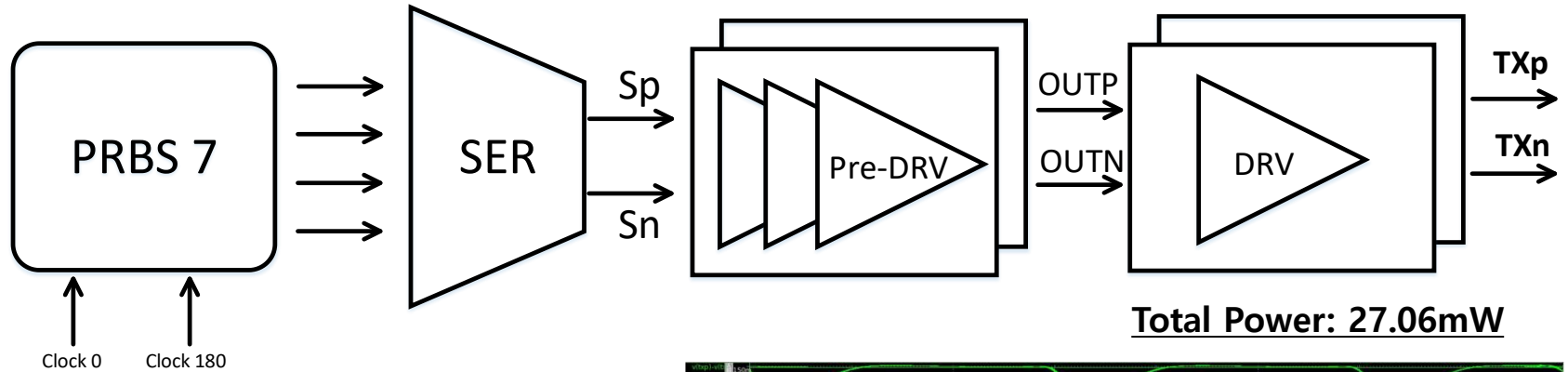


# Bi-Cmos PRBS generator design

Chip Design for 28nm Samsung Fab.(2019.05)

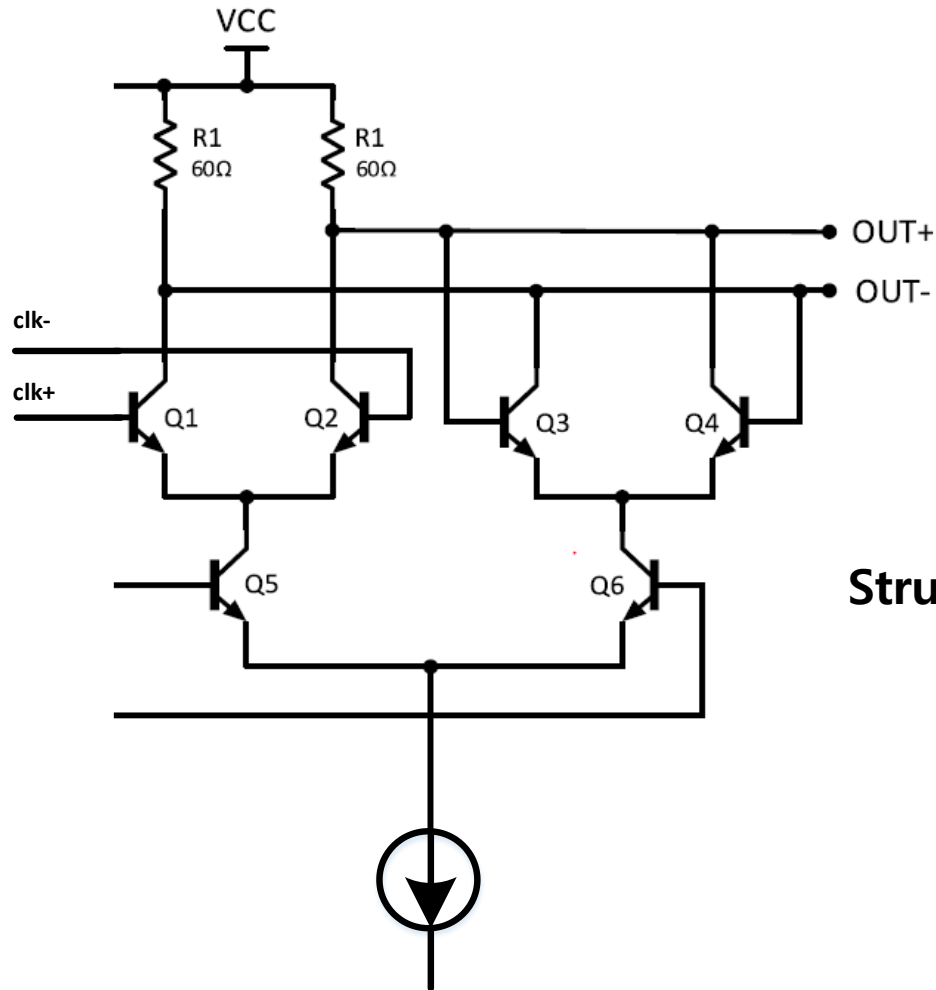
300mVpp 25-Gb/s Toggling Serializer



*Will be verified by experiment*

**Simulation Result**

# Bi-Cmos PRBS generator design

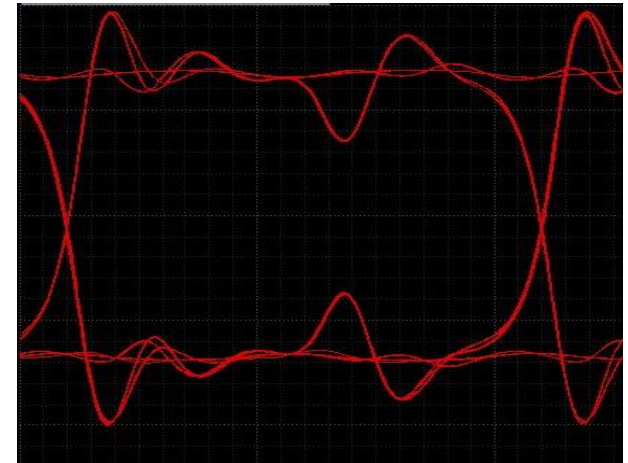
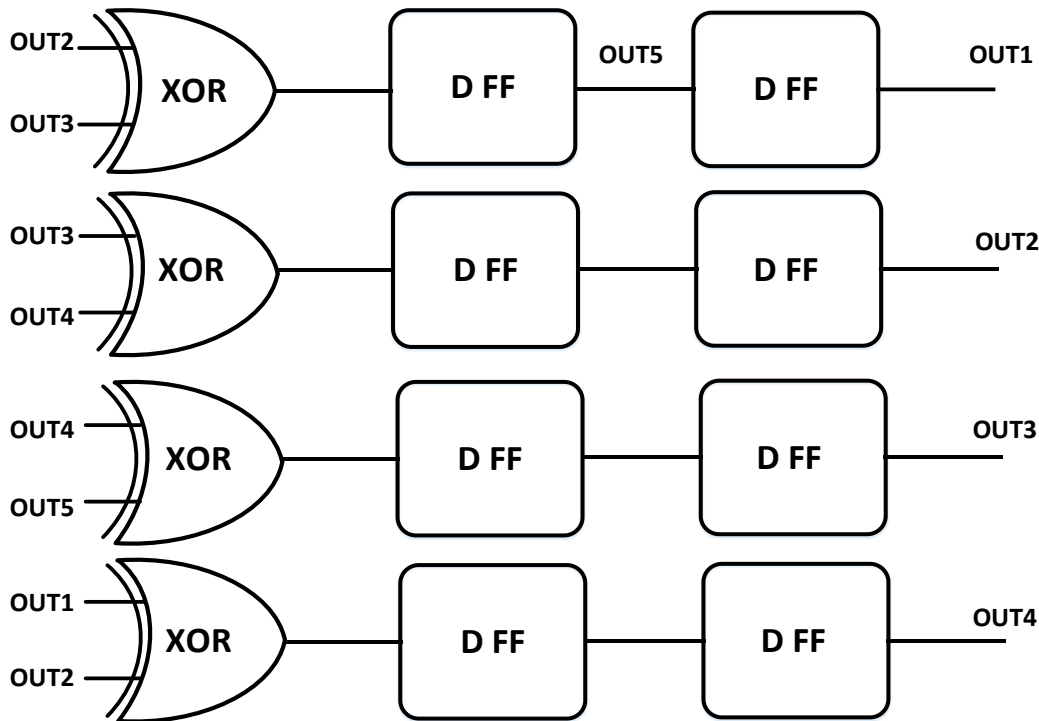


Structure of D Flip flop with virtuso

# Bi-Cmos PRBS generator design

Chip Design for IHP EPIC.(2019.10)

High Speed PRBS generator using BiCMOS (**Ongoing**)



**Simulation Result**

*Will be verified by experiment*